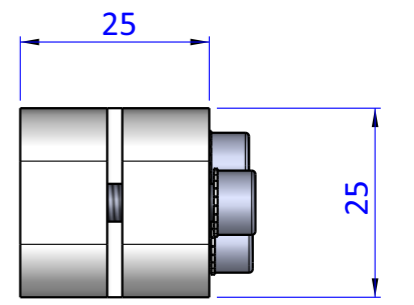
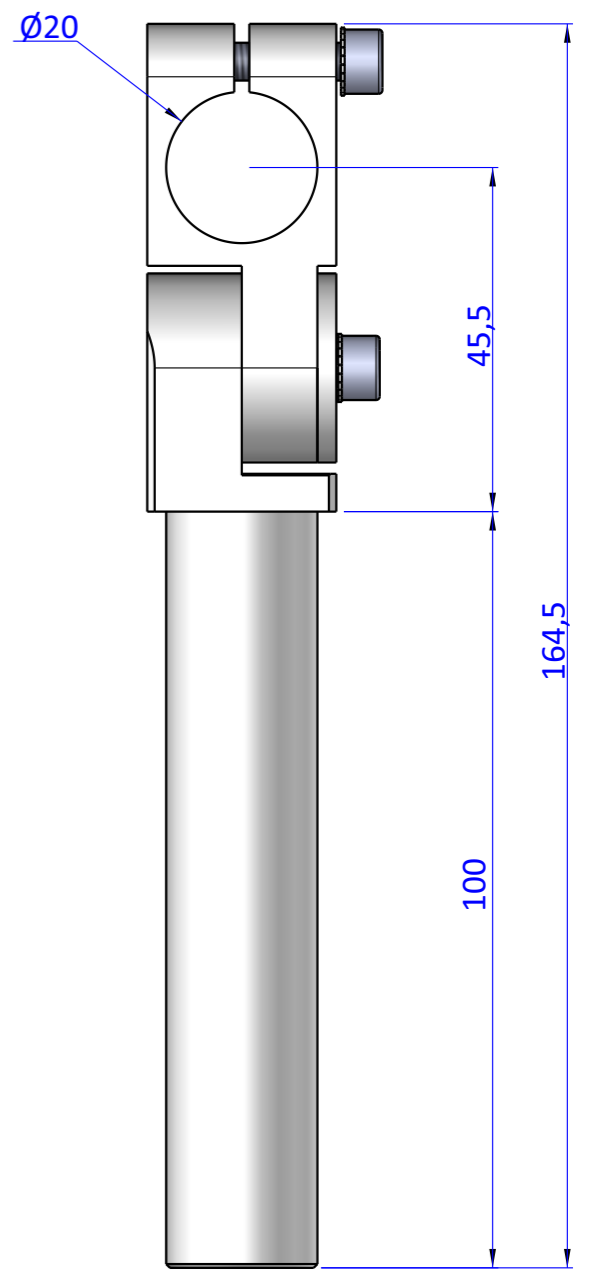
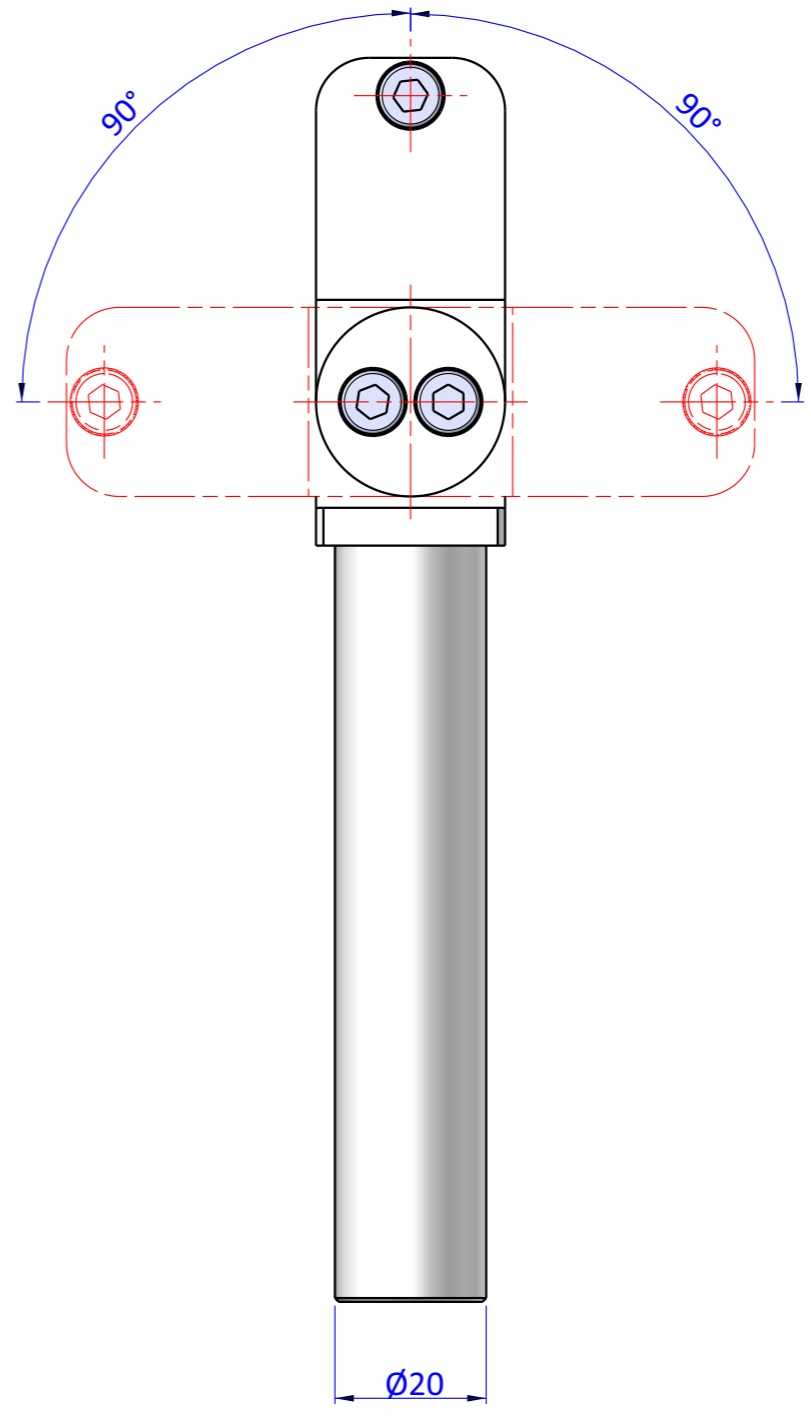
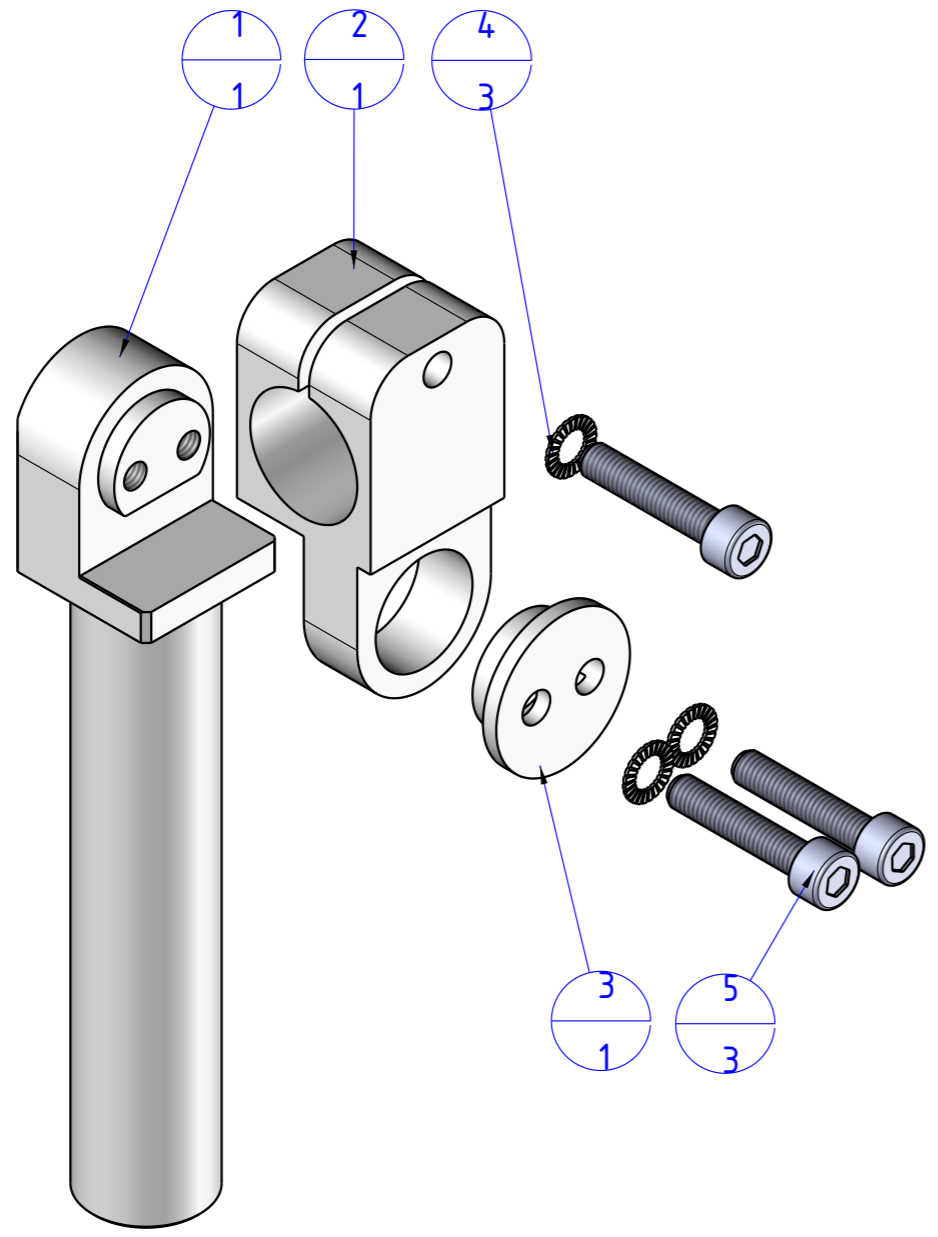

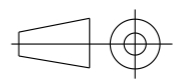


THE PROPERTY OF THE DRAWING IS ESTABLISHED BY LAW. IT IS FORBIDDEN TO PRODUCE OR SHOW IT TO THIRD PART. WITHOUT A WRITTEN AGREEMENT.

Item	Name	Q.ty
1	GVR.20.1.100	1
2	GVR.20.2	1
3	GVR.20.3	1
4	R.5.SCH	3
5	V.TCE5x25	3



Format A3  
UNI 936-76

 <b>FPS</b> FPSERVICES AUTOMATION			DESIGNED FROM <b>FPS Automation</b>	REVIEW <b>A</b>
GENERAL TOLERANCE UNI - ISO 2768 CLASSE f	DESCRIPTION <b>CA.GVR.2020.100</b>	DATE 18/09/2020	WEIGHT 0,137kg	CODE <b>CA.GVR.2020.100</b>